



SEALING SYSTEM
INTELLIGENT PACKAGING SOLUTIONS



COBOT COLLABORATIVE ROBOT

COBOT COLLABORATIVE ROBOT

FROM AUBO ROBOTICS

A “COBOT” is the latest addition to Sealing System’s product range. It is a Collaborative Robot from Aubo Robotics – a new generation of robots characterised by agility and flexibility and by being able to work closely with people since they are approved for operation without safety fencing.

Return on investment

A Cobot is an inexpensive and easy way to improve production efficiency. It is cheap to buy and to operate, it is stable and it can work 24/7. Furthermore, it also takes up less space when compared to normal robot cells with safety fencing. You will therefore quickly recuperate your investment, and your company will benefit from competitive advantages.

Flexibility and a high level of precision

A Cobot can free up manpower or assist employees with monotonous and strenuous tasks. With great variation in mobility, the Cobot can perform repetitive movements with a high level of precision. Therefore, it is particularly well-suited for pick and place, handling and palletizing tasks.



Close cooperation with people

One of the strengths of the Cobot is that it can work closely with people without requiring safety fencing, which ensures a dynamic work process. The Cobot can handle up to 5 products per minute during single pick, without safety fencing being necessary. However, safety is still top notch due to the Cobot’s extensive safety requirements. For example, there is a built-in sensor with a stop function, which activates upon unexpected resistance.

Quick reconfiguration

The Cobot is ideal for companies with many different products or product variants, where quick reconfiguration is essential. It can easily be re-programmed or moved and implemented elsewhere in the production.

IPS – Intelligent Packaging Software

Based on our broad knowledge of and experience with palletization tasks, Sealing System has developed our own software for robotic palletization. IPS - Intelligent Packaging software has been thoroughly tested by our robot programmers and engineers. We have greatly emphasised the design of a user-friendly and logical control panel so that the individual operator can easily operate and program the robot.

The Cobot also comes with a “teach” function, where every position can be manually set by placing the robotic arm in the desired position. This makes the robot very user friendly to operate for the individual employee, as it does not require extensive programming knowledge.

Financing

We offer the possibility to purchase, rent or lease. Contact us by calling +45 75 29 20 92 for more information.



COBOT FUNCTIONS AUBO ROBOTICS COLLABORATIVE ROBOT

- Can be installed in a normal 230 v plug
- The robot comes with CE marking
- Six-axis robot
- Available in four sizes, which can lift 3, 5, 7 and 10 kg respectively
- Reach from 625 mm to 1350 mm.
- Can work closely with people
- Up to 5 cycles per minutes, without safety fencing
- Easy to program using the “teach” function
- Own intuitive software

WE ARE BUILDING INTELLIGENT PACKAGING SOLUTIONS

We want to be your preferred supplier of packaging solutions – from robot palletizing to complete packaging lines.

Our skilled and committed employees are at your disposal, offering the latest knowledge within end-of-line system and machine solutions.

Reliability and flexibility ensure quality, timeliness and the expected return on investment.

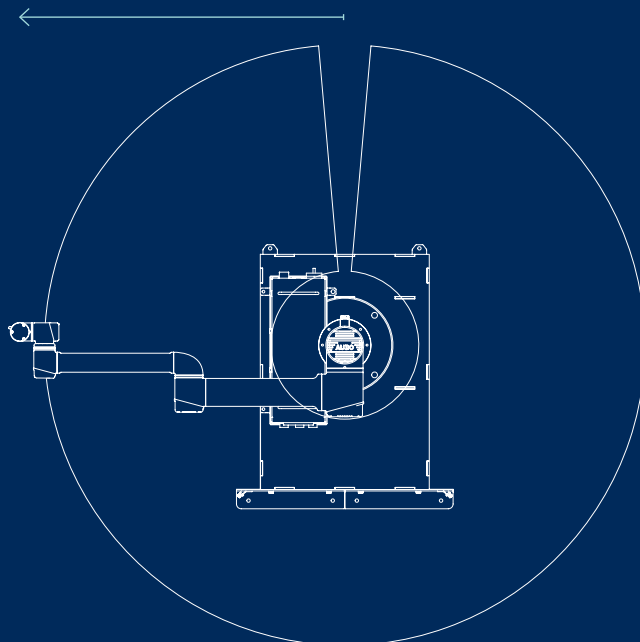
Cobot – Collaborative robot:

Robot specifications

Cobot varianter:	i3	i5	i7	i10
Axes	6	6	6	6
Payload	3 kg	5 kg	7 kg	10 kg
Weight	15,5 kg	24 kg	32 kg	37 kg
Lifetime	30.000 h	30.000 h	30.000 h	30.000 h
Power efficiency	150 w	220 w	400 w	500 w
Reach	625 mm	924 mm	1150 mm	1350 mm

Maximum speed:				
J1 axis rotation base	180°/ sec	150°/ sec	180°/ sec	180°/ sec
J2 axis rotation shoulder	180°/ sec	150°/ sec	180°/ sec	180°/ sec
J3 axis rotation elbow	180°/ sec	150°/ sec	150°/ sec	180°/ sec
J4 axis wrist rotation	180°/ sec	180°/ sec	180°/ sec	180°/ sec
J5 axis wrist swing	180°/ sec	180°/ sec	180°/ sec	180°/ sec
J6 axis wrist rotation	180°/ sec	180°/ sec	180°/ sec	180°/ sec
Working range (+/-) 175°				

Reach from 625 mm to 1350 mm. Working range +/- 175°



SEALING
SYSTEM
INTELLIGENT
PACKAGING
SOLUTIONS

Sealing System A/S
Hedemarken 1
DK-7200 Grindsted

+45 75 29 20 92
www.sealing-system.dk